












Cupping Press

-  Works at speeds of up to 300 spm
-  Under driven press
-  Dynamically counter balanced
-  Adjustable shut heights for the inner slide
-  Magnetic clamping for the inner slide
-  Capable of feeding 74" coil
-  Unique electrical features
-  3" slide stroke for improved access
-  Fully CE approved
-  Portable HMI
-  AutoBAR™

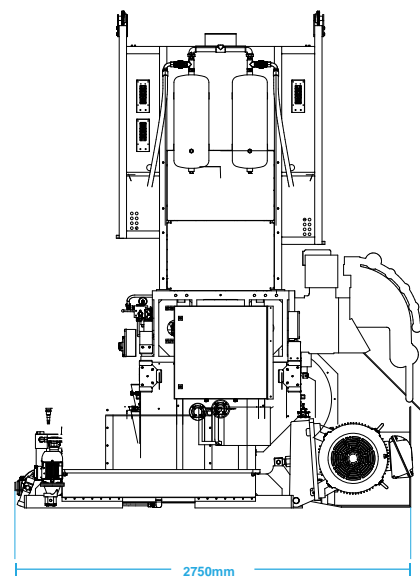
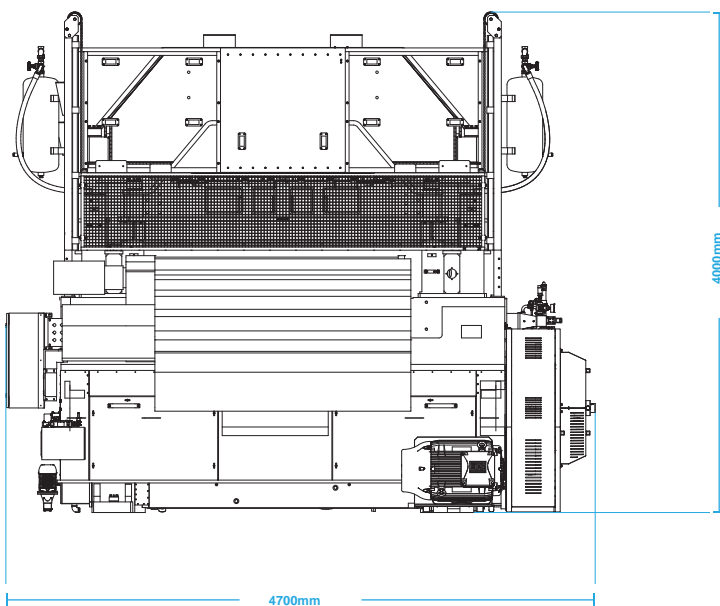
Contact our team to find out more about the Cupping Press

Call Us +44(0)1274 846200
Email Us sales@cmbe.com
Online www.cmbe.com



Technical Data

Stroke:	Outer: 3" Inner: 5" Slide Offset: 65°
Tool Area:	Die set Max Width: 84" (2133.36mm) Offers Compatibility to Narrower die sets Max opening: Outer 24.25" (616mm)
Shut heights @BDC:	Outer: 21.25" (540mm) Inner: 27.55" (700mm)
Weight:	36,000kg (excluding die set)
Compress Air requirements:	2 x 2" Supply Pipes 95psi (6.5 bar) 300 m3/h 25°C
Press dimensions:	Height: 4000mm Width: 4700mm Depth: 2750mm
Cooling water Requirements:	Flowrate 60-120L/min Temperature: 20°C - 22°C
Voltage:	400 > 480v
Supply:	3 phase
Frequency:	50/60HZ
Full Load current:	320A
Control voltage AC:	110vac
Control voltage DC:	24vdc
Bed width:	2130mm
Tooling Capacity:	16 die stations
Maximum Coil Width:	1880mm
Strokes per minute:	Production speed: 100-300spm
AutoBAR™:	20spm



Contact our team to find out more about the Cupping Press

Call Us +44(0)1274 846200
Email Us sales@cmbe.com
Online www.cmbe.com