



Technical Bulletin

TB3400-012

Sheet: 1 of 1

ENGINEERING

3400 Neck Forming System

Issue: 11. 05. 2012

Upgrade of Main Drive Gearbox

CATEGORY: Recommended Service Replacement for Main Gearbox 2398616C.

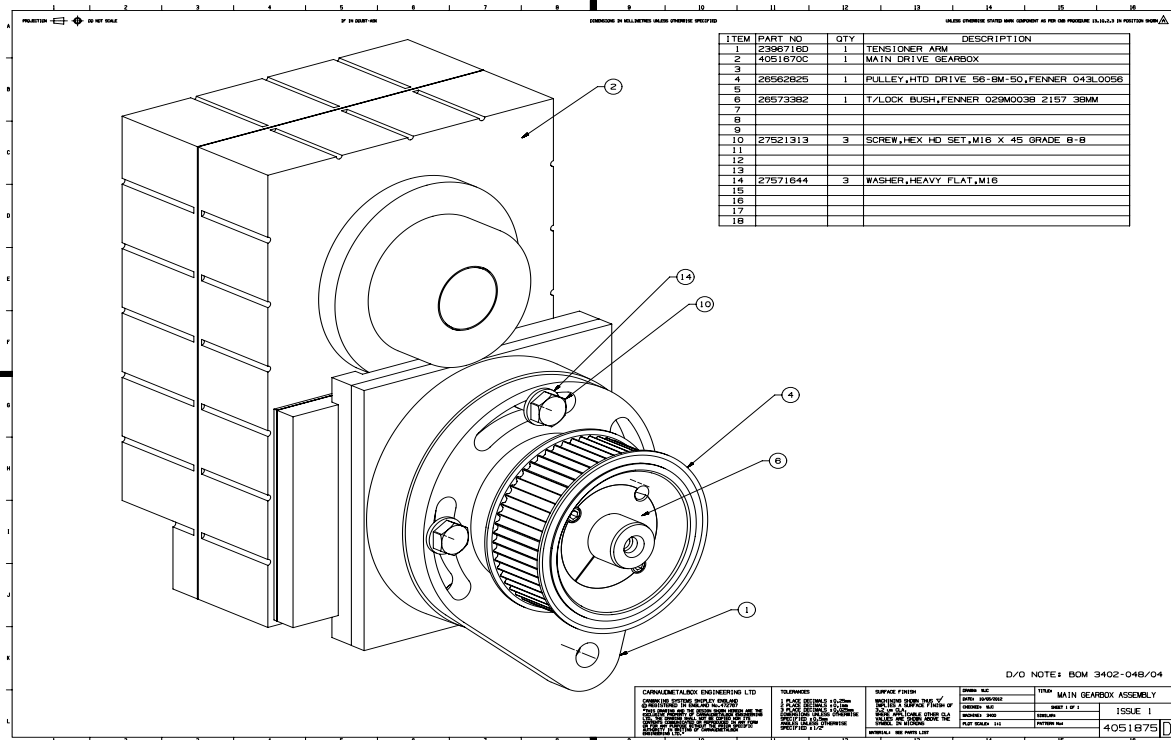
Summary: CarnaudMetalbox Engineering specify increased capacity bearings at the Main Drive Gearbox input and intermediate shafts for improved gearbox service life.

Recommended Action for Customers

In order to complete this modification the following parts are required.

- Tensioner Arm (Part Number 2396716D)
- Main Drive Gearbox (Part Number 4051870C)
- Pulley (Part Number 26562825)
- Taper Lock Bush (Part Number 26573382)
- Screw (Part Number 27521313)
- Washer (Part Number 27571644)

The above items are supplied with; Main Gearbox Assembly 4051875D, Parts List 3402-048/04



Note: Customers must take responsibility to ensure that the motor and gearbox pulley sets are identical across the machine.

For further information regarding this Technical Bulletin please contact either of the contacts below quoting Technical Bulletin Number **TB3400-012** and your machine Serial Number

Note: a complete Library of Technical Bulletins is accessible on the Company Web Site.

CarnaudMetalbox Engineering Limited,
 Dockfield Road, Shipley,
 West Yorkshire, BD17 7AY, UK
 Tel: +44 1274 846200, Fax: +44 1274 846201
 email: sales@CMBEcanmaking.com

CarnaudMetalbox Engineering Limited,
 79 Rockland Road, Norwalk,
 Connecticut 06854, USA
 Tel: +1 203 853 7325, Fax: +1 203 866 7627
 email: sales@CMBEcanmaking.com