

IBR Bead Setting Tool

TB3400-039

15/09/2023

**Category:** Recommended for purchase.

CarnaudMetalbox Engineering Ltd (CMbE) are pleased to introduce the IBR Bead Setting Tool for all CMbE Die Neckers. The newly designed IBR Bead Setting Tool simplifies the process of precisely setting the Internal Base Reformer (IBR) to its desired position.

The current process relies upon individual operator experience, as it involves altering the eccentric adjuster without a measured point of reference. CMbE's IBR Bead Setting Tool acts as a visual aid when setting the IBR to its desired position. It is easily fitted on to the Reform Chuck (**Fig. 1**), as the IBR Bead Setting Tool's internal magnets ensure it remains mounted in position. The Dial Test Indicator (DTI) embedded in the IBR Bead Setting Tool displays the actual IBR bead depth increase/decrease achieved when the eccentric adjustment is made.

Using the tool helps set the bead diameter position correctly on the first attempt, reducing machine down-time and unwanted variations in bead diameter. The IBR Bead Setting Tool is provided in a custom protective case (**Fig. 2**), and can be purchased from CMbE as detailed below.

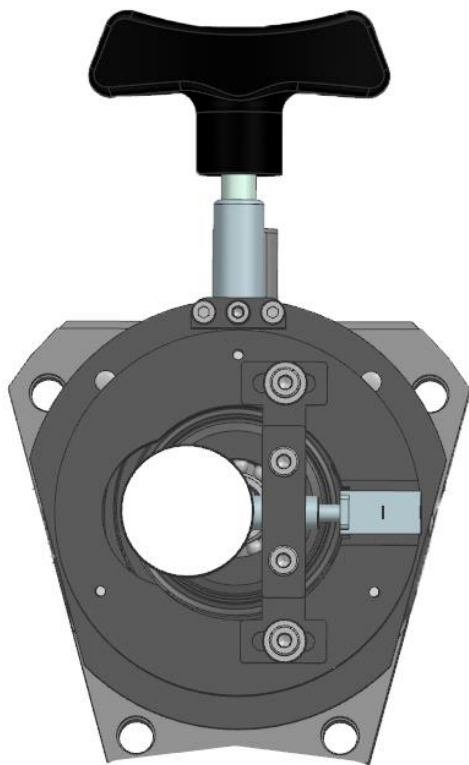


Fig. 1

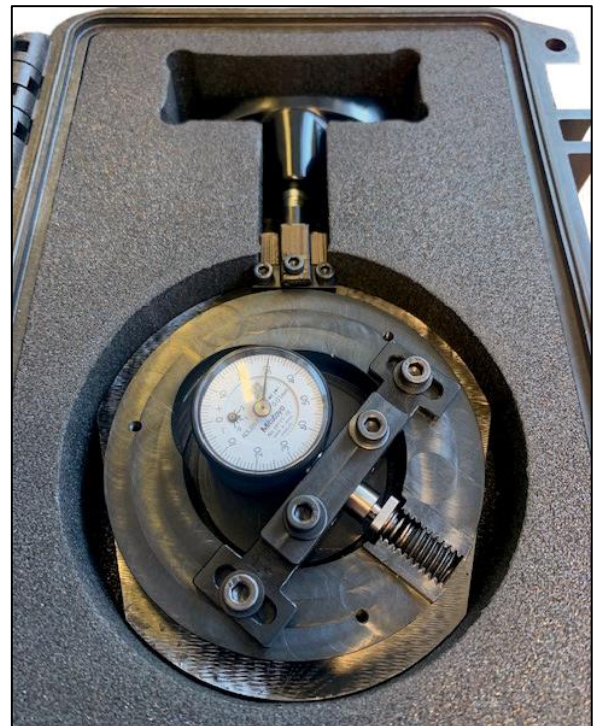


Fig. 2

For further information regarding this Technical Bulletin, please contact either of the contacts below quoting Technical Bulletin number **TB3400-039** and your machine Serial Number. A complete library of Technical Bulletins is available on the company web site.

[www.cmbe.com](http://www.cmbe.com)

CarnaudMetalbox Engineering Ltd,  
Dockfield Road, Shipley,  
West Yorkshire, BD17 7AY, UK  
Tel: +44 1274 846200  
e-mail: [sales@cmbe.com](mailto:sales@cmbe.com)

CarnaudMetalbox Engineering Ltd,  
79 Rockland Road, Norwalk,  
Connecticut 06854, USA  
Tel: +1 203 853 7325  
e-mail: [Sales-USA-Norwalk@crowncork.com](mailto:Sales-USA-Norwalk@crowncork.com)