

Category: Mandatory at next maintenance.

Summary:

CarnaudMetalbox Engineering Ltd have introduced an improved design of the Cam Follower as the new standard for the 5000 Bodymaker.

This now incorporates a Rolling Element Cam Follower Arrangement which has an improved life expectancy and will combat faster acceleration rates required for high speeds because of the smaller contact area given by the rolling elements. The crowned Follower O/Dia. provides improved Cam contact.

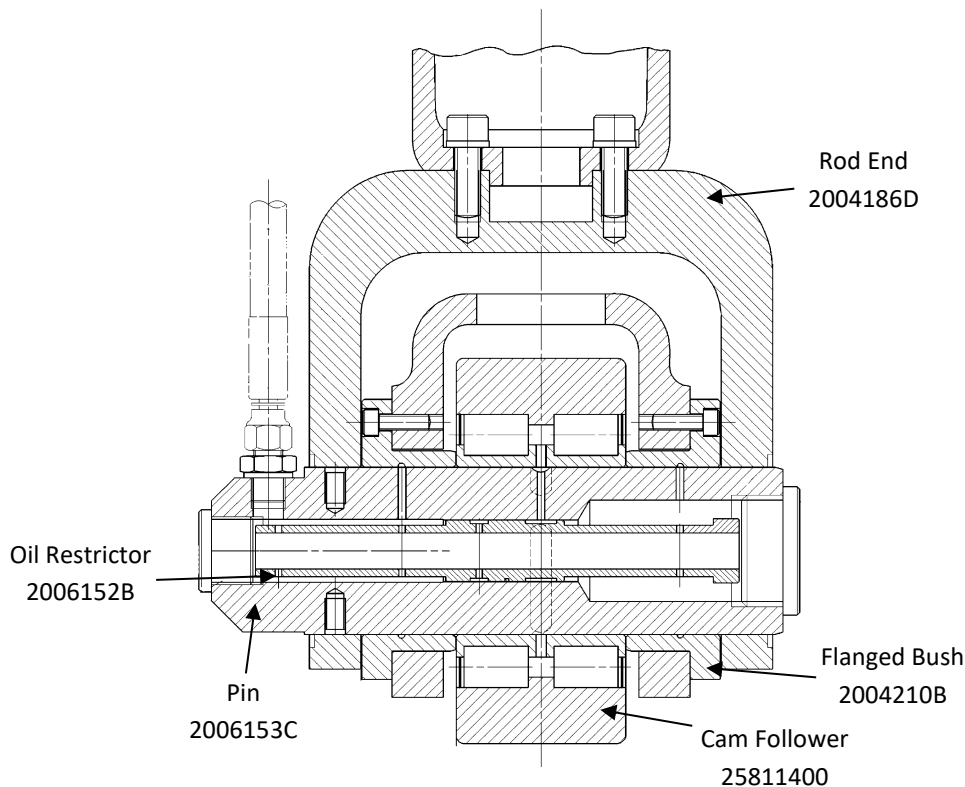
When initially retrofitting the Cam Follower, it will come complete with Follower, Spindle, Rod End, Flanged Bush and Oil Restrictor Spiral, but once fitted, only the Follower is required for spares.

NOTE: The Cam Follower 2006120B has been superseded by 25811400.

This Technical Bulletin is applicable to all 5000 Bodymakers, and was fitted as standard from serial no. **198-S**. It is available in a simple to fit retrofit package and enables a total fitting times of four hours.

For further information about Rolling Element Cam Followers, please contact either of the references at CarnaudMetalbox Engineering Ltd detailed below, quoting Technical Bulletin reference **TB5000-47**.

A complete library of Technical Bulletins is accessible on the company website.



www.cmbe.com