

Vacuum Pump Stand

TB550-009

15/09/2023

Category: Recommended upgrade at next maintenance.

CarnaudMetalbox Engineering Ltd (CMbE) are pleased to introduce the Vacuum Pump Stand (**Fig. 1**) for all CMbE Canmakers and stand-alone Trimmers. The newly designed Vacuum Pump Stand lifts the Vacuum Pump above the centre line of the Starwheel, coupled with the Cyclone Drop Box (**TB550-001**) and the Relief Valve. This design upgrade will reduce the ingress of coolant in the vacuum pump, therefore limiting premature failure and reducing machine downtime.

CMbE recommends that the Vacuum Pump Stand upgrade is applied to all CMbE Trimmers that do not yet possess this upgrade. The upgrade, as part of the Cyclone Drop Box and Relief Valve configuration, can be purchased from the CMbE sales department as detailed below.

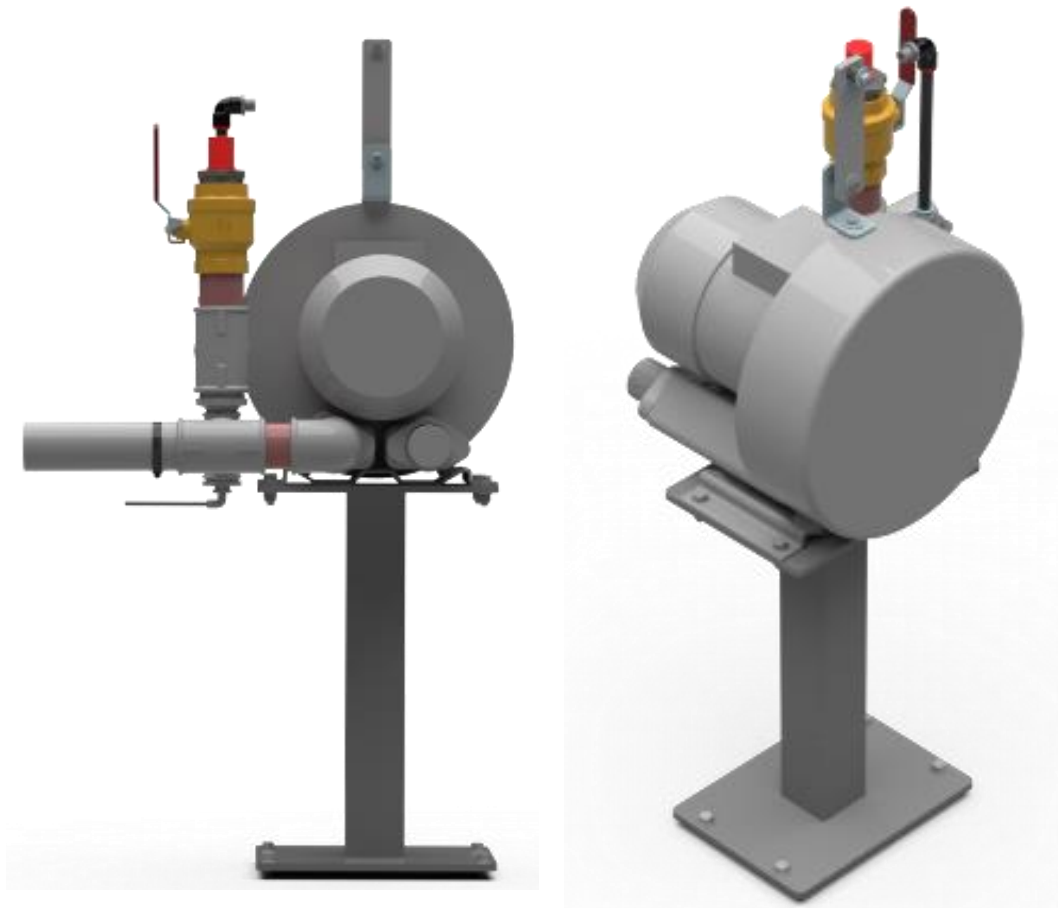


Fig. 1

For further information regarding this Technical Bulletin, please contact either of the contacts below quoting Technical Bulletin number **TB550-009** and your machine Serial Number. A complete library of Technical Bulletins is available on the company web site.

www.cmbe.com



CarnaudMetalbox Engineering Ltd,
Dockfield Road, Shipley,
West Yorkshire, BD17 7AY, UK
Tel: +44 1274 846200
e-mail: sales@cmbe.com

CarnaudMetalbox Engineering Ltd,
79 Rockland Road, Norwalk,
Connecticut 06854, USA
Tel: +1 203 853 7325
e-mail: Sales-USA-Norwalk@crowncork.com